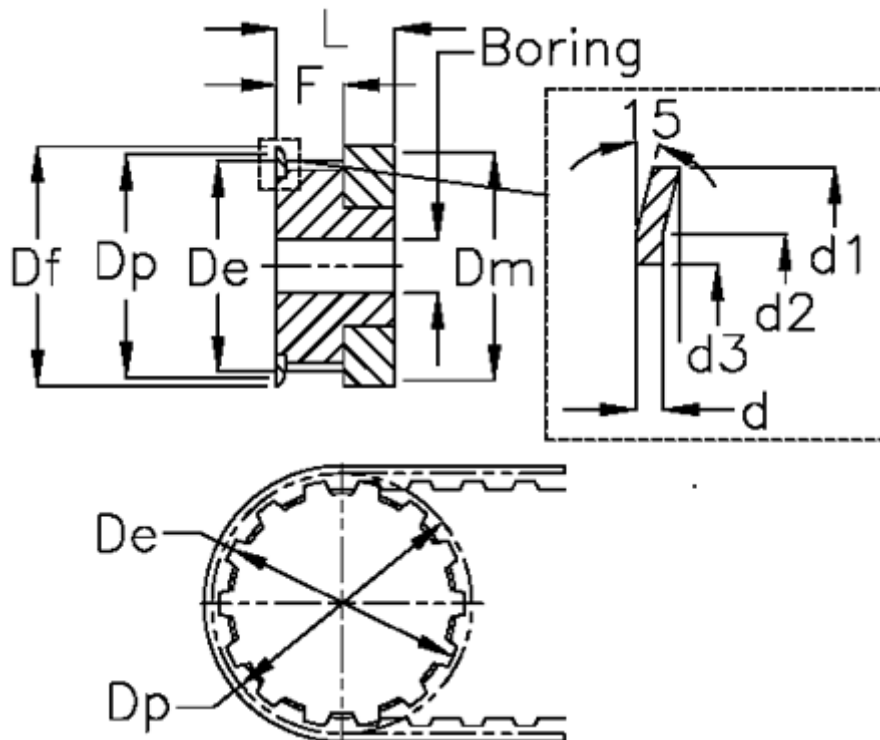


Article number: 604140010006

Description: Timing belt pulley with hub
HTD 10 3M 6

Measures



| | | |
|-----------|--------------|--------|
| Bore = 4 | Dp | = 9.55 |
| d = 0.5 | F | = 7.2 |
| d1 = 13 | Flange type | = F01 |
| d2 = 10 | L | = 14.5 |
| d3 = 6 | Tooth number | = 10 |
| De = 8.79 | Type | = 3M |
| Df = 13 | Weight | = - |
| Dm = 13 | Width | = 06 |